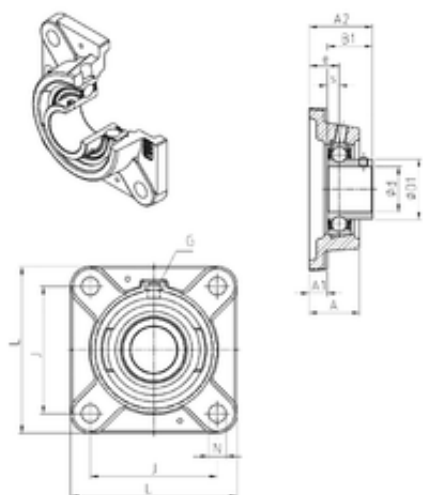




Fogg roulements et accessoires de vente.



SNR USFE208 unit é s de roulement

Bearing No. USFE208

Bore Diameter	40 mm
d	40 mm
e	24 mm
s	9 mm
A	39,5 mm
A1	13 mm
B1	34 mm
D1	53 mm
J	101,5 mm
L	130 mm
N	14 mm
Thread (G)	R1/8"
A2	49 mm
Weight	2 Kg
Basic dynamic load rating (C)	29,6 kN

USFE208 Bearing 2D drawings and 3D CAD models