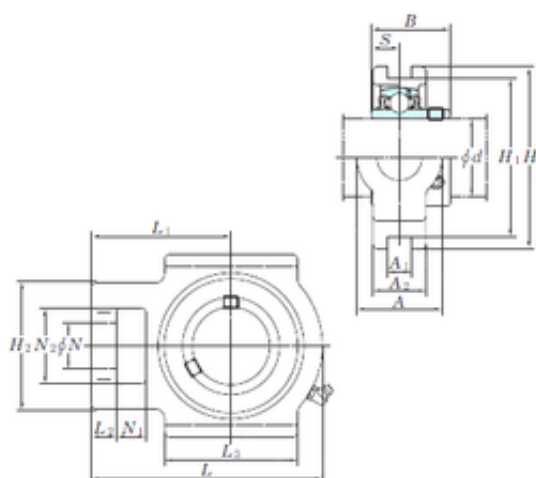




Fogg roulements et accessoires de vente.



UCTX05 Bearing 2D drawings and 3D CAD models

KOYO UCTX05 unit é s de roulement

Bearing No. UCTX05

Bore Diameter	25 mm
d	25 mm
L2	10 mm
L3	57 mm
A	37 mm
A1	12 mm
B	38,1 mm
H	102 mm
H1	89 mm
H2	56 mm
L	113 mm
L1	70 mm
N	22 mm
N1	16 mm
S	15,9 mm
A2	28 mm
N2	37 mm
Weight	1,4 Kg
Basic dynamic load rating (C)	19,5 kN
Basic static load rating (C0)	11,3 kN