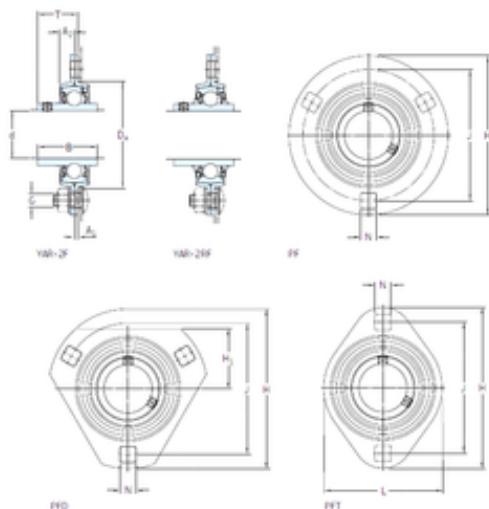




Fogg roulements et accessoires de vente.



SKF PFD 20 RM unit é s de roulement

Bearing No. PFD 20 RM

Bore Diameter	20 mm
Width	25,5 mm
d	20 mm
Da	55 mm
A1	2 mm
B	25,5 mm
G	8 mm
H	91 mm
H1	32 mm
J	71,5 mm
L	–
N	8,7 mm
T	20,3 mm
A2	8 mm
Weight	0,23 Kg
Basic dynamic load rating (C)	12,7 kN
Basic static load rating (C0)	6,55 kN
Housing material	Pressed steel
A ₁	2 mm
A ₂	8 mm
B ₄	4.5 mm
D _a min.	51 mm
H ₁	32 mm
s ₁	18.3 mm
Basic dynamic load rating C	12.7 kN
Basic static load rating C ₀	6.55 kN

PFD 20 RM Bearing 2D drawings and 3D CAD models



Fogg roulements et accessoires de vente.

Fatigue load limit P_u	0.28 kN
Permissible radial housing load max.	3.3 kN
Mass unit	0.22 kg
Thread grub screw G_2	M6x0.75
Hexagonal key size for grub screw N	3 mm
Recommended tightening torque for grub screw	4 N · m
Recommended diameter for attachment bolts, mm G	8 mm
Recommended diameter for attachment bolts, inch G	0.3125 in