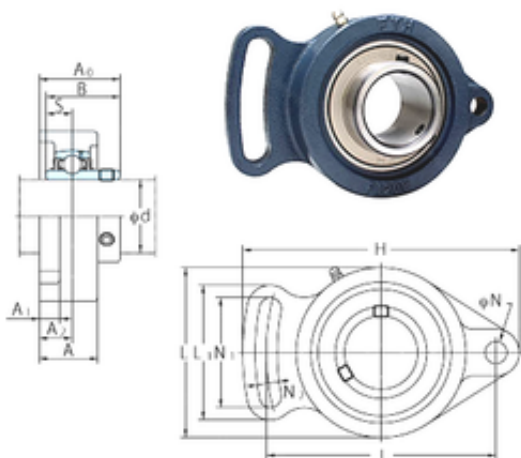




Fogg roulements et accessoires de vente.

FYH UCFA205-14 unit é s de roulement

Bearing No. UCFA205-14



UCFA205-14 Bearing 2D drawings and 3D CAD models

| | |
|-------------------------------|-----------|
| Bore Diameter | 22,225 mm |
| d | 22,225 mm |
| A0 | 35,8 mm |
| A | 27 mm |
| A1 | 13 mm |
| B | 34,1 mm |
| H | 124 mm |
| J | 98 mm |
| L | 70 mm |
| L1 | 64 mm |
| N | 11 mm |
| N1 | 49 mm |
| S | 14,3 mm |
| Bolt (G) | M10 |
| A2 | 16 mm |
| N2 | 11 mm |
| Weight | 0,68 Kg |
| Basic dynamic load rating (C) | 14 kN |
| Basic static load rating (C0) | 7,85 kN |