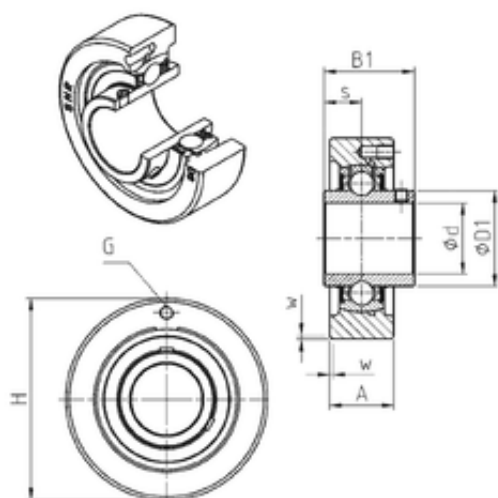




## Fogg roulements et accessoires de vente.



UCC215 Bearing 2D drawings and 3D CAD models

### SNR UCC215 unit é s de roulement

Bearing No. UCC215

Bore Diameter	75 mm
d	75 mm
s	33,3 mm
A	44 mm
B1	77,8 mm
D1	91,5 mm
H	160 mm
W	2 mm
Thread (G)	M6x1
Weight	5,6 Kg
Basic dynamic load rating (C)	66 kN
B	77.8 mm
A3	2 mm
A5	44.5 mm
G	M6x1
s1	38.9 mm
S	33.3 mm
SW	6 mm
C	66 kN
C0	49.5 kN
T min.	-20 ° C
T max.	100 ° C
Recommended tightening torque for set screw	33 Nm
Designation of housing	C215-
Designation of bearing	UC215G2



## **Fogg roulements et accessoires de vente.**