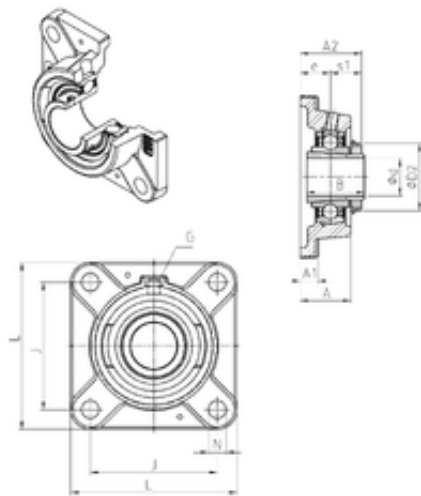




## Fogg roulements et accessoires de vente.



### SNR UKFE216H unit é s de roulement

Bearing No. UKFE216H

Bore Diameter	70 mm
d	70 mm
e	41,3 mm
s1	39 mm
A	61 mm
A1	20 mm
B	78 mm
D2	105 mm
J	153 mm
L	197 mm
N	23 mm
Thread (G)	R1/8"
A2	80,3 mm
Weight	7,5 Kg
Basic dynamic load rating (C)	72,5 kN

UKFE216H Bearing 2D drawings and 3D CAD models