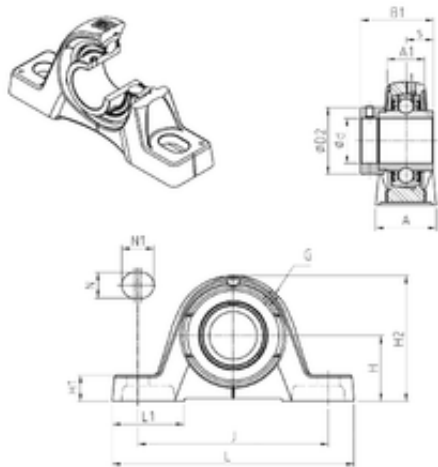




Fogg roulements et accessoires de vente.



SNR EXPE208 unit é s de roulement

Bearing No. EXPE208

Bore Diameter	40 mm
d	40 mm
s	21,4 mm
A	48 mm
A1	30 mm
B1	56,3 mm
D2	60,3 mm
H	49,2 mm
H1	19 mm
H2	99 mm
J	138 mm
L	179 mm
L1	53 mm
N	14 mm
N1	26 mm
Thread (G)	R1/8"
Weight	2 Kg
Basic dynamic load rating (C)	29,6 kN

EXPE208 Bearing 2D drawings and 3D CAD models